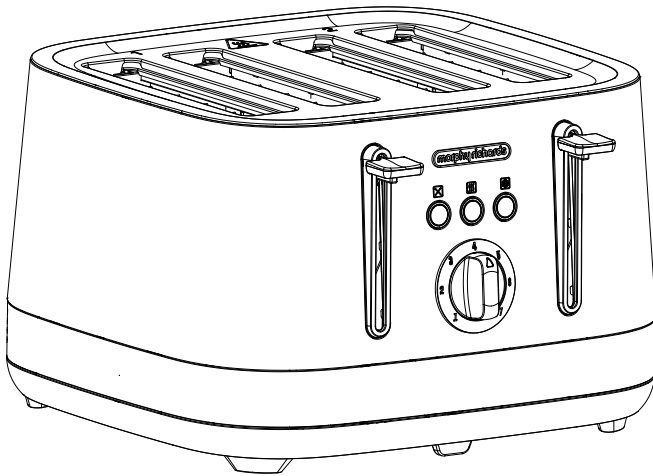


morphy richards[®]

smart ideas for your home

Essence Scandi 4 Slice Toaster



Model: MREST44EU & MREST44TA

INSTRUCTION MANUAL

Read these instructions carefully before using this appliance for the first time.

STORE THESE INSTRUCTIONS CAREFULLY

For product hints and tips plus more join us at

www.morphyrichards.com.au



facebook.com/MorphyRichardsAUS



instagram.com/morphyrichardsau

IMPORTANT SAFETY INSTRUCTIONS

WARNING: The use of any electrical appliance requires the following common sense safety rules.

WARNING: Misuse of the appliance could cause personal injury.

WARNING: Do not touch the top of the appliance or other hot parts during or after use, use handles or knobs. The temperature of accessible surfaces may be high when the appliance is operating.

WARNING: Do not wrap the cord around the main body of the appliance during or immediately after use.

WARNING: Do not use under cupboards.

WARNING: Do not insert oversize foods, metal, foil packages or utensils into the toaster.

WARNING: Do not attempt to dislodge food when the appliance is plugged in and never insert cooking utensils into the slots.

WARNING: Do not place bread or other items on top of the slots as this may damage the appliance and creates a fire hazard.

WARNING: If toasting small bread slices less than 85mm length, pay attention to the potential risk of burning when taking out the slices.

- Do not use the appliance if the cord, the mains plug or the appliance itself is damaged.
- Make sure that the outlet voltage corresponds to the voltage stated on the rating label of the toaster (underside of Toaster).
- This appliance is not intended for use by persons (including children) with reduced physical, sensory or mental capabilities, or lack of experience and knowledge, unless they have been given supervision or instruction concerning use of the appliance by a person responsible for their safety.

IMPORTANT SAFETY INSTRUCTIONS

- Children should be supervised to ensure that they do not play with the appliance.
- Cleaning and user maintenance shall not be made by children.
- Keep the appliance and its cord out of reach of children.
- This appliance is intended to be used in household and similar applications such as: farm houses; by clients in hotels, motels and other residential type environments; bed and breakfast type environments. It is not suitable for use in staff kitchen areas in shops, offices and other working environments.
- This appliance is not intended to be operated by means of an external timer or separate remote control system.
- If the supply cord is damaged, it must be replaced by the manufacturer, its service agent or similarly qualified persons in order to avoid a hazard.
- Do not let the cord run across a cooker or hot area which might damage the cable.
- Do not let cord hang over the edge of the table or countertop.
- To protect against electrical shock, do not immerse cord, plug, or any part of the toaster in water or other liquid.
- Do not place on or near a hot gas or electric burner, or in a heated oven.
- Do not place the toaster on a hot surface.
- Do not place anything on top of the toaster when the toaster is switched on or when it is still hot, as this can cause damage or fire.
- Watch the appliance during use.

IMPORTANT SAFETY INSTRUCTIONS

- The bread may burn, therefore, do not use the appliance near or below combustible material such as curtains.
- Never use the appliance when it is empty (when there is no bread inside) except on first use.
- Do not use very thin or broken slices of bread.
- Do not insert other foods that may drip grease or oil during the cooking process. In addition to making the cleaning procedure more difficult, these may cause fires.
- Clean the crumb tray regularly, crumbs can smoke or burn.
- Do not insert (by force) foods that are too big for the slots.
- Allow the unit to cool completely before cleaning or storing.
- Do not insert forks or other utensils into the toaster in order to remove bread. As well as damaging the toaster, there is a high risk of electric shock.
- Be sure to take the bread out carefully after toasting so as to avoid injuries.
- The use of accessory attachments not recommended by the appliance manufacturer may cause injuries.
- Should some toast remain blocked in the toaster, remove the plug from the mains, wait for the toaster to cool down until it is safe to touch, then turn the toaster over and shake it gently.
- This appliance must be used in accordance with the instructions and must not be used for other purposes.
- Do not touch parts other than the operating controls as the toaster can become hot during toasting.

IMPORTANT SAFETY INSTRUCTIONS

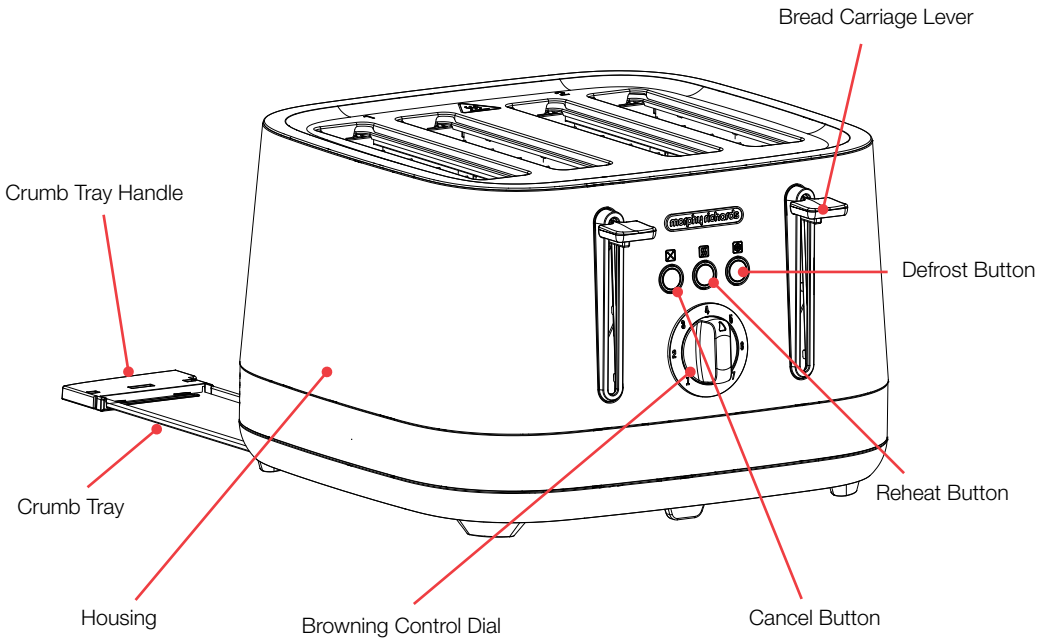
- Press down the bread levers only for toasting, never block them.
- Use the appliance on a level and stable work surface.
- If toaster starts to smoke, press the cancel button to stop toasting immediately.
- Remove all protective wrapping prior to using the toaster.
- Avoid toasting bread with extremely runny ingredients already applied, such as butter.
- To protect against electrical shock, do not immerse cord, plug, or any part of the toaster in water or other liquid.
- Do not use near water contained in bath tubs, sinks or other containers.
- Do not steam clean the appliance.
- Do not use oven or grill spray for cleaning.
- Do not use the appliance outdoors.
- **WARNING:** This appliance is NOT recommended to be used with extension leads and/or power boards.

READ CAREFULLY AND KEEP FOR FUTURE REFERENCE

SPECIFICATIONS

Model:	MREST44EU	MREST44TA
Colour:	Eucalyptus	Tapioca
Rated Power:	1500-1800W	
Rated Voltage & Frequency:	220-240V~ 50-60Hz	
Capacity:	4 Slot 4 Slice Toaster	
External Dimensions (L x W x H):	295 x 300 x 190mm	
Net Weight:	2.6kg	

PRODUCT OVERVIEW



OPERATING INSTRUCTIONS

As there is manufacturing residue or oil remaining in the toaster and on the heat element, it usually emits a 'new' odour when first used. This is normal and will not occur after the first few uses.

NOTE: Before toasting the first slice of bread, it is strongly suggested to operate the appliance following below instructions, except without bread, then let the toaster cool down and begin toasting the first slice.

- 1.** Make sure the crumb trays are positioned in place and ensure the power plug is in the outlet and is switched on.
- 2.** Place the sliced bread into the bread slots.
- 3.** Adjust the browning control to the desired setting. There are 7 browning positions, the lowest "1" is for light toasting and "7" is for darker toasting. The bread slice can be toasted to a golden colour in a centre position.
- 4.** Depress the bread carriage lever. The toaster will begin toasting the bread and the cancel button will illuminate.

NOTE: The carriage handle will only depress and lock in place when the appliance is connected to the power supply.

- 5.** When the bread is toasted to the required browning level, the bread carriage lever will automatically rise and lift the toast from the toaster.
- 6.** You can cancel the toasting process at any time by pressing the cancel button.

NOTE: If you toast only one slice of bread, set the toasting level lower than for two slices.

OPERATING INSTRUCTIONS

7. To toast frozen bread, do not adjust the browning control from your normal setting. Place the frozen bread in the bread slots, depress the bread carriage lever and press the defrost button. The button will illuminate and the toaster will operate for a longer period defrosting and toasting the bread.

8. If you want to reheat bread that was previously toasted but gone cold. Press the bread carriage lever down vertically until it is positioned in place, then press reheat button. The reheat button will be illuminated and the toaster will operate for a short period reheating the bread.

CLEANING

WARNING: Crumbs will accumulate in the crumb trays and could catch fire if not emptied regularly.

1. Disconnect the power supply before cleaning.

2. When the appliance has cooled down completely, tap the sides of the housing lightly to dislodge any crumbs lodged in the toaster. Pull out the crumb trays on the bottom of toaster by crumb tray handles and empty. If toaster is used frequently, accumulated bread crumbs should be removed at least once a week. Make sure the crumb trays are completely closed before using the toaster again.

NOTE: Never operate the appliance without the crumb trays fitted.

3. Wipe the outside with soft dry cloth after the toaster cools down.

4. When not in use or when being stored for extended periods, the power cord may be wound under the bottom of toaster.

MAINTENANCE

If the unit fails to operate efficiently, is broken or other problems arise, unplug and do not operate.

Ask for advice by calling your local after sales service agent or the Customer Care Centre on 1300 556 816 (AU) / 0800 666 2824 (NZ).

WARRANTY

Please refer to the warranty letter in the box for warranty information. For any troubleshooting advice, please contact the relative Customer Care Centre below.

Glen Dimplex Australia Pty Ltd
8 Lakeview Drive,
Scoresby 3179, Victoria
Australia
Ph: 1300 556 816

Glen Dimplex New Zealand Ltd
38 Harris Road, East Tamaki,
Auckland 2013
New Zealand
Ph: 0800 666 2824



Recycling: Do not dispose of electrical appliances as unsorted municipal waste. Use separate collection facilities. Contact your local government for information regarding the collection systems available. If electrical appliances are disposed of in landfills or dumps, hazardous substances can leak into the ground water, polluting the food chain and damaging health and wellbeing.

Expanded Polystyrene Disposal: The websites listed below can assist in the responsible disposal of EPS (Expanded Polystyrene) packaging products.

Australia: <https://recyclingnearyou.com.au/polystyrene> and/or <http://epsa.org.au>

New Zealand: <https://greenbusinesshq.com/epsrecycling> and/or

<https://www.plastics.org.nz/environment/recycling-disposal/eps-recycling>

morphy richards®

Glen Dimplex Australia Pty Ltd

8 Lakeview Drive

Scoresby VIC 3179

Phone: 1300 556 816

Email: seasonal.support@glendimplex.com.au

Web: www.morphyrichards.com.au

© Glen Dimplex Australia. All rights reserved. Material contained in this publication may not be reproduced in whole or in part, without prior permission in writing of Glen Dimplex Australia.