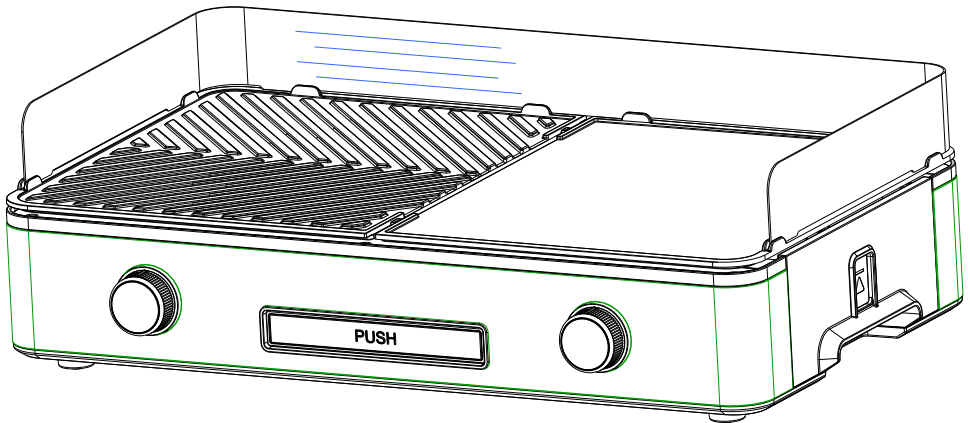


# morphy richards®

smart ideas for your home

## Benchtop Electric BBQ Grill



Model: MRGP24SS

## INSTRUCTION MANUAL

Read these instructions carefully before using this appliance for the first time.

**STORE THESE INSTRUCTIONS CAREFULLY**

For product hints and tips plus more join us at

[www.morphyrichards.com.au](http://www.morphyrichards.com.au)

 [facebook.com/MorphyRichardsAUS](https://facebook.com/MorphyRichardsAUS)

 [instagram.com/morphyrichardsau](https://instagram.com/morphyrichardsau)

## IMPORTANT SAFETY INSTRUCTIONS

The use of any electrical appliance requires the following common sense safety rules.

Please read these instructions carefully before using the product.

- **WARNING:** Do not touch hot surfaces.
- **WARNING:** Misuse of appliance could cause personal injury.
- **WARNING:** Do not leave the appliance unattended while operating.
- **WARNING:** Charcoal or similar combustible fuels must not be used with this appliance.
- Make sure to remove all paper and cardboard before first use.
- To protect against electric shock, do not immerse power cord, plug, or appliance in water or other liquid.
- This appliance is not intended to be operated by means of an external timer or a separate remote-control system.
- This appliance is intended to be used in household and similar applications such as:
  - staff kitchen areas in shops, offices and other working environments;
  - farm houses;
  - by clients in hotels, motels and other residential type environments;
  - bed and breakfast type environments.
- This appliance is not intended for use by persons with reduced physical, sensory or mental capabilities or lack of experience and knowledge unless they have been given supervision or instruction concerning use of the appliance by a person responsible for their safety.

## IMPORTANT SAFETY INSTRUCTIONS

- Children should be supervised to ensure that they do not play with this appliance and children should be watched carefully to avoid scalding them.
- In the absence of supervision, the cleaning and maintenance work should not be done by a child.
- Use of accessories not recommended or sold by the original manufacturer may cause risks of fire, electric shock or personal injury.
- This appliance must be used in accordance with the instructions and must not be used for other purposes.
- Do not use metal or sharp utensils on the grill. Always use wooden or plastic spatulas or tongs.
- Do not place food on the grills that is wrapped with plastic, polythene or foil paper as it may start fire or damage the plates.
- Remove the food while it is hot and do not leave the food to cool on the grill.
- Do not store any packing material, cardboards or plastic while the appliance is not in use.
- Make sure the dials are turned off before disconnecting the appliance.

### Location

- For indoor & outdoors use. Do not use near water.
- The appliance and accessories should be positioned on a flat, heat-resistant surface away from water.
- The appliance should not be used on or near a high temperature gas or electric stove.

## IMPORTANT SAFETY INSTRUCTIONS

- Do not store any items on top of the Benchtop grill when in use.
- Keep the appliance away from flammable materials such as curtains.

### Power cord

- **WARNING:** This appliance should NOT be used with extension leads and/or power boards.
- Keep the appliance and its power cord out of reach of children.
- If the power cord is damaged, it must be replaced by the manufacturer or its service agent or a similarly qualified person in order to avoid a hazard.
- The power cord should reach from the socket to the appliance without straining the connections.
- Remove the plug from the socket, grasp the plug and pull out the power cord, do not pull on the cord directly.
- Do not let the power cord hang over the edge of the table or counter and keep it away from any hot surfaces.
- Do not let the power cord run across an open space e.g. between a low socket and table.
- The power cord should be regularly examined for signs of damage, and if the cord is damaged, the appliance must not be used.

### Personal safety

- **WARNING:** The inner and outer surfaces of the Benchtop grill get hot during operation.

## IMPORTANT SAFETY INSTRUCTIONS

- **WARNING:** Extreme caution must be taken when handling the appliance containing hot liquids.
- **WARNING:** This appliance is hot during operation and retains heat for some time after turning OFF.
- Always use oven gloves when handling hot materials and allow metal parts to cool before cleaning. Do not place anything on top of the appliance while it is operating or while it is hot.
- Unplug from outlet when not in use and before cleaning. Allow to cool completely before removing or adding parts, and before cleaning the appliance.
- Do not operate any appliance with a damaged lead or plug, or after an appliance has malfunctioned, or has been dropped or damaged in any way.
- Always unplug when not in use.
- If scalded, run cold water over the affected area immediately. Do not stop to remove clothing, seek medical advice quickly.

### Electrical requirements

- **WARNING:** This appliance should NOT be used with extension leads and/or power boards.
- Check that the voltage on the rating label of your appliance corresponds with your house electricity supply which must be A.C.
- The appliance must be supplied through a residual current device (RCD) having a rated residual operating current not exceeding 30 mA.

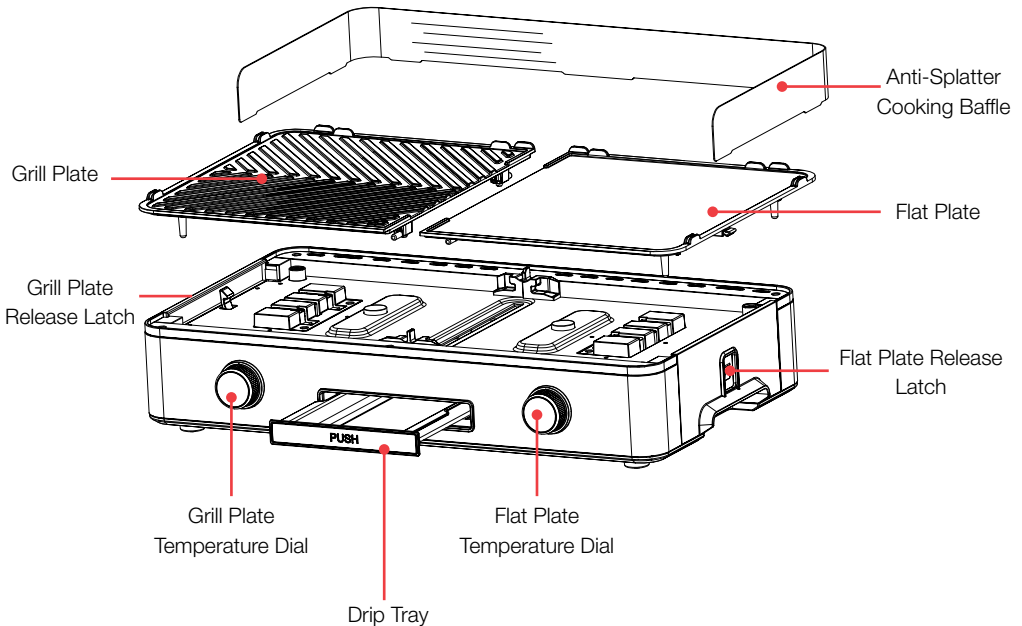


**CAUTION: HOT SURFACE**  
**PLEASE BE AWARE OF HOT SURFACES**  
**HANDLE WITH CARE**

## SPECIFICATIONS

<b>Model:</b>	<b>MRGP24SS</b>
<b>Colour:</b>	<b>Stainless Steel</b>
<b>Rated Power:</b>	<b>2000-2400W</b>
<b>Rated Voltage &amp; Frequency:</b>	<b>220-240V~ 50-60Hz</b>
<b>Temperature Range:</b>	<b>100-230°C</b>
<b>Preheat Time:</b>	<b>280-330 seconds</b>
<b>Plate Dimensions (W x D):</b>	<b>246 x 282mm</b>
<b>Product Dimensions (W x D x H):</b>	<b>520 x 300 x 154mm</b>
<b>Net Weight:</b>	<b>4.87kg</b>

## PRODUCT OVERVIEW



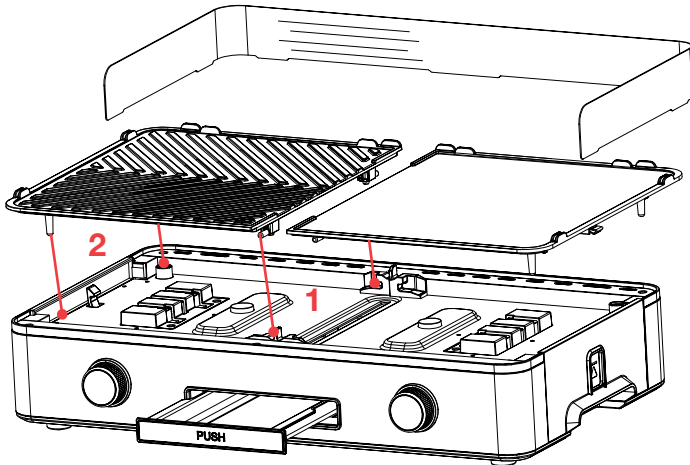
## BEFORE FIRST USE

1. Remove all packaging materials.
2. Remove all stickers and labels from the appliance. Do not remove the rating label on the bottom of the appliance.
3. Clean all parts to remove any dust or manufacturing residue.
4. Thoroughly wash the accessories by hand with warm soapy water and a non-abrasive sponge. Do NOT immerse the housing in water.
5. Wipe the inside and outside of the appliance with a moist cloth. Do not use chemical cleaners.
6. Ensure cooking plates and baffle are inserted securely.
7. Use the appliance on a horizontal, flat and stable heat-resistant surface, away from a heating source and where it will not come in contact with water.
8. The appliance should be placed with good ventilation and away from walls or curtains.
9. Ensure the drip tray is placed correctly to avoid oil dropping on the lower heating element.

**NOTE:** During first use, the grill may emit a slight odour and smoke. This is normal.

## OPERATING INSTRUCTIONS

- This appliance can only be operated while placed horizontally.
- Position the GRILL plate on the left side of the unit by sliding the metal lugs on the right side on the bottom of the plate into the plastic rails near the oil intake hole in the middle of the unit. Both lugs should be in place before pushing down on the left side of the GRILL plate until a secure click is heard. See diagram below.
- Position the FLAT plate onto the right side of the unit by sliding the metal lugs on the left side on the bottom of the plate into the plastic rails near the oil intake hole in the middle of the unit. Both lugs should be in place before pushing down on the right side of the FLAT plate until a secure click is heard.



- Ensure the drip tray is closed and is not opened while the appliance is in use.
- Carefully position the anti-splatter cooking baffle into the eight grooves on the plates, making sure the ends with the ridges are in contact with the cooking plates (see above diagram).



## OPERATING INSTRUCTIONS

- Wipe the grill with oil or butter. Do not use low fat spread as it may result in the food burning.
- Plug the power cord into the socket.
- A beep will sound and if the temperature dials are turned in the OFF position, a White light will illuminate around the dials. When the dials are turned to a temperature to begin cooking, the lights will turn Blue. The Blue light is an indicator the plates are heating.
- Set the temperature of the cooking plates using the temperature dials and pre-heat for 280-330 seconds. The left temperature dial controls the GRILL plate and the right temperature dial controls the FLAT plate. The temperatures can be set from 100-230°C.
- Place food on the plates using a spatula or tongs. Constantly monitor the food while it cooks to avoid burning and keep turning the food during operation for the best cooking result.
- When cooking has finished, carefully remove the food from the hot plates using a spatula or tongs.
- Do not touch the plate release latches or the anti-splatter cooking baffle plate during operation to prevent scalding.
- Excess oil or fat can be directed from the plates into the centre of the unit where it will drain onto the drip tray below.
- Once finished cooking, allow the grill to cool down before touching or removing the plates and baffle.
- Remove the grill and flat plates by pressing the release latches mounted on the left and right sides of the unit.
- Push the drip tray once and pull out slowly and carefully lift the baffle out of the cooking plate grooves for cleaning.

## CARE & CLEANING

- **WARNING:** Unplug the Benchtop BBQ Grill and allow to cool completely before cleaning.
- Remove excess food particles and oil from the grills and guide into the hole in the centre of the unit.
- Remove the grill and flat plates by pressing the release latches mounted on the left and right sides of the unit.
- Remove the drip tray carefully and empty the contents into a heat-proof bowl and discard.
- Carefully lift the baffle from the cooking plate groove.
- Wash the grill plates, baffle and drip tray in warm soapy water and dry them thoroughly.
- Use a clean damp cloth to clean all other surfaces.
- Do not immerse the appliance in water for cleaning.
- Do not wipe the appliance with an abrasive cleaner.
- Do not use scourers or soap pads.

**NOTE:** Allow the drip tray to cool below 40°C before removing.

- Before storing, make sure all parts are completely clean and dry.
- Store the grill in a cool dry area and out of reach of children.
- Do not store the product vertically.

## TROUBLESHOOTING

- During first use, the Benchtop BBQ Grill may emit a slight odour and smoke. This is normal.
- If no beep is heard when turning on the appliance, make sure the power cord is properly plugged in to the power socket.
- If no lights are illuminating around the temperature dials, recheck if the cord is properly plugged in to the power socket.

## MAINTENANCE

If the unit fails to operate efficiently, is broken or other problems arise, unplug and do not operate.

Ask for advice by calling your local after sales service agent or the Customer Care Centre on 1300 556 816 (AU) / 0800 666 2824 (NZ).

## WARRANTY

Please refer to the warranty card in the box for warranty information. For any troubleshooting advice, please contact the relative Customer Care Centre below.

Glen Dimplex Australia Pty Ltd  
8 Lakeview Drive,  
Scoresby 3179, Victoria  
Australia  
Ph: 1300 556 816

Glen Dimplex New Zealand Ltd  
38 Harris Road, East Tamaki,  
Auckland 2013  
New Zealand  
Ph: 0800 666 2824



Recycling: Do not dispose of electrical appliances as unsorted municipal waste. Use separate collection facilities. Contact your local government for information regarding the collection systems available. If electrical appliances are disposed of in landfills or dumps, hazardous substances can leak into the ground water, polluting the food chain and damaging health and wellbeing.

Expanded Polystyrene Disposal: The websites listed below can assist in the responsible disposal of EPS (Expanded Polystyrene) packaging products.

Australia: <https://recyclingnearyou.com.au/polystyrene> and/or <http://epsa.org.au>

New Zealand: <https://greenbusinesshq.com/epsrecycling> and/or

<https://www.plastics.org.nz/environment/recycling-disposal/eps-recycling>

**morphy richards**

Glen Dimplex Australia Pty Ltd

8 Lakeview Drive

Scoresby VIC 3179

Phone: 1300 556 816

Email: [seasonal.support@glendimplex.com.au](mailto:seasonal.support@glendimplex.com.au)

Web: [www.morphyrichards.com.au](http://www.morphyrichards.com.au)

© Glen Dimplex Australia. All rights reserved. Material contained in this publication may not be reproduced in whole or in part, without prior permission in writing of Glen Dimplex Australia.

MRGP24SS\_IM\_v2