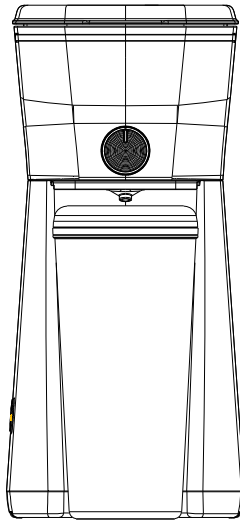


morphy richards®

smart ideas for your home

Iced Coffee Maker



Model: MRCM35BK

INSTRUCTION MANUAL

Read these instructions carefully before using this appliance for the first time.

STORE THESE INSTRUCTIONS CAREFULLY

For product hints and tips plus more join us at

www.morphyrichards.com.au



facebook.com/MorphyRichardsAUS



instagram.com/morphyrichardsau

IMPORTANT SAFETY INSTRUCTIONS

WARNING

To reduce the risk of fire, electric shock, injury to persons or damage to property, follow basic precautions including the following:

- **WARNING:** Misuse of appliance could cause personal injury.
- Do not let the appliance operate without water.
- Make sure that the outlet voltage corresponds to the voltage stated on the rating label of the appliance.
- This appliance is not intended for use by persons (including children) with reduced physical, sensory or mental capabilities, or lack of experience and knowledge, unless they have been given supervision or instruction concerning use of the appliance by a person responsible for their safety.
- Close supervision is necessary when the appliance is operating. Do not keep the appliance in the standby state for a long time. Children should be supervised to ensure that they do not play with the appliance.
- Cleaning and user maintenance should not be done by children.
- Keep the appliance and cord out of the reach of children.
- This appliance must be used in accordance with the instructions and must not be used for other purposes.
- This appliance is intended to be used in household and similar applications such as:
 - staff kitchen areas in shops, offices and other working environments;
 - farm houses;
 - by clients in hotels, motels and other residential type environments;
 - bed and breakfast type environments.

- To disconnect, turn the power switch at the back of the appliance to “O” and remove plug from wall outlet.
- The use of attachments or tools not recommended or sold by Morphy Richards, may cause fire, electric shock or injury.

Location

- For indoor use only. Do not use outdoors or near water.
- Always locate your appliance away from the edge of the worktop.
- Ensure that the appliance is used on a firm, flat surface.
- The appliance shall not be placed in a cabinet when in use.

Power cord

- **WARNING:** This appliance should NOT be used with extension leads and/or power boards.
- The power cord should reach from the socket to the appliance without straining the connections.
- If the power cord is damaged, it must be replaced by the manufacturer, its service agent or similarly qualified persons in order to avoid a hazard.
- Remove the plug from the socket, grasp the plug and pull out the power cord, do not pull on the cord directly.
- Do not let the cord hang over the edge of a table or counter and keep it away from any hot surfaces.
- Do not let the cord run across an open space e.g. between a low socket and table.

Personal safety

- **WARNING:** To protect against fire, electric shock and personal injury do not immerse cord, plug and appliance in water or any other liquid.
- **WARNING:** The appliance surface is subject to residual heat after use.
- The temperature of accessible surfaces may be high when the appliance is operating.
- Unplug from the outlet before cleaning.
- Allow to cool before putting on or taking off parts and before cleaning.
- Do not move the appliance while switched on.
- Extreme caution must be used when moving an appliance containing hot liquids.

Treating scalds

- Be careful of hot steam, as it can be ejected from the appliance.
- Run cold water over the affected area immediately. Do not stop to remove clothing, seek medical advice quickly.

Electrical requirements

- **WARNING:** This appliance should NOT be used with extension leads and/or power boards.
- Check that the voltage on the rating label of your appliance corresponds with your house electricity supply which must be A.C.

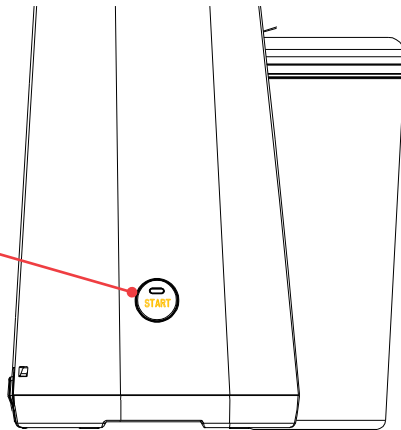
READ CAREFULLY AND KEEP FOR FUTURE REFERENCE

SPECIFICATIONS

Model:	MRCM35BK
Colour:	Black
Water Tank Capacity:	350ml
Travel Cup Capacity:	600ml
Rated Power:	700W
Rated Voltage & Frequency:	220-240V~ 50-60Hz
Dimensions (W x D x H):	155 x 206 x 332mm
Net Weight:	1.12kg

POWER SWITCH & START BUTTON

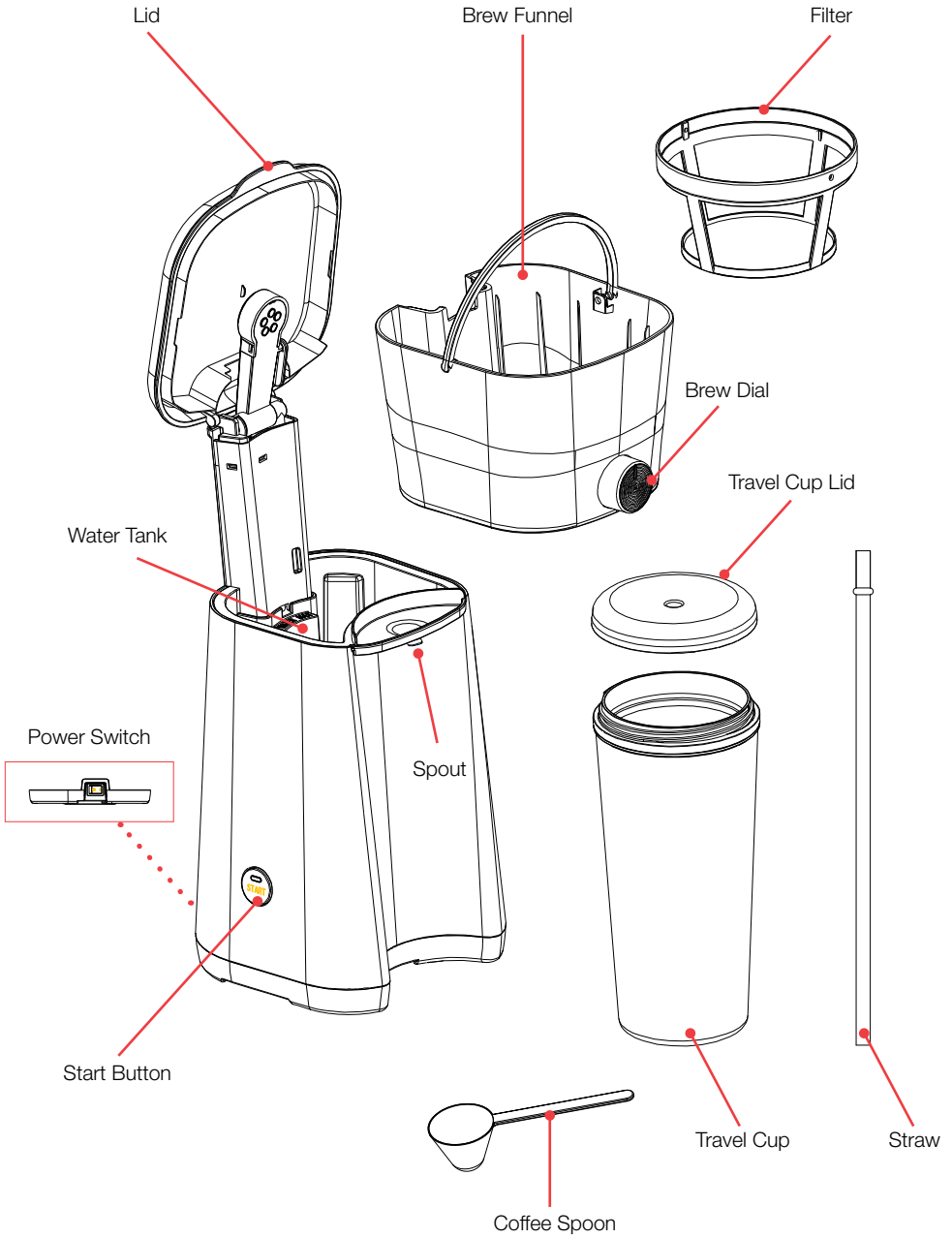
Start Button
(located at the side of the unit)



Power Switch
(located at the back of the unit near the base)



PRODUCT OVERVIEW



BEFORE FIRST USE

1. Remove all packaging materials.
2. Check that all accessories are complete and the appliance is not damaged.
3. Clean all parts to remove any dust or manufacturing residue.
4. Plug the Iced Coffee Maker plug into the mains power.
5. Fill the travel cup to the "WATER" marking with water.
6. Lift the lid of the unit and remove the filter and brew funnel, exposing the water tank.
7. Add water from the travel cup into the water tank to the MAX fill level.
8. Close the lid and turn the "BREW" dial to "Start".
9. Place the travel cup under the spout. Turn the power switch at the back of the appliance to "—" and then press the "START" button on the side of the unit and ensure the LED is illuminated. The brewing process will begin.
10. Wait 3-4 minutes for brewing to complete. Once the dripping stops, turn the "BREW" dial to "Stop" to stop the flow of water.
11. Discard water from the travel cup and repeat steps 5 to 9 again without coffee powder leaves to ensure the unit is clean.
12. Wash the reusable travel cup thoroughly with clean water.
13. Your Iced Coffee Maker is now ready for use!

USING YOUR ICED COFFEE MAKER

1. Plug the Iced Coffee Maker plug into the mains power.

WARNING: To prevent injury from hot steam or potential damage to the unit, do not plug the appliance in until water is in the tank and the travel cup is put in place under the drip spout.

2. Fill the travel cup to the "WATER" marking with clean water. For best results, it is recommended to use filtered water.
3. Lift the lid of the unit and remove the filter and brew funnel, exposing the water tank.
4. Pour the water from the travel cup into the tank.

WARNING: Never fill water tank above MAX fill line.

5. Place the brew funnel back on top of the water tank. Place the reusable filter or standard 12 cup basket style paper filter into the brew funnel.
6. Turn the "BREW" dial to "Start" and with the spoon provided, pour 3-4 level scoops of ground coffee into the filter. This is the recommended amount for the 600ml travel cup. However, you may want to add more or less to suit your taste or add additional milk or water.
7. Close the lid.
8. Fill the travel cup with ice cubes up to the "ICE" marking.
9. Place the travel cup with ice under the spout. Turn the switch at the back of the appliance to "—" and then press the "START" button on the side of the unit and ensure the LED is illuminated. The brewing process will begin.
10. Wait 3-4 minutes for brewing to complete. Once the dripping stops, turn the "BREW" dial to "Stop" to stop the flow of coffee.

USING YOUR ICED COFFEE MAKER

11. Discard the coffee grounds after use.
12. Add milk or water to taste and any syrups or flavours to create your drink just how you like it.
13. Screw the lid on the reusable travel cup securely and insert the straw in the lid and enjoy!

TIPS FOR YOUR ICED COFFEE MAKER

- A clean appliance is essential for making great tasting coffee. Regularly clean the appliance as specified in the “CARE & CLEANING” section on page 10. Always use fresh, cold water in the iced coffee maker.
- Store unused coffee grounds in a cool, dry place. After opening a package of coffee grounds, reseal it tightly and store it in a refrigerator to maintain its freshness.
- For an optimum coffee taste, buy whole coffee beans and grind them finely just before brewing.
- Do not reuse coffee grounds, as this will reduce the coffee flavour greatly. Reheating coffee is not recommended as coffee is at its peak immediately after brewing.
- Clean the appliance as over extraction can cause oiliness. Small oil droplets on the surface of brewed, black coffee are due to the extraction of oil from the coffee powder.
- Oiliness may occur more frequently if heavily roasted coffees are used.
- Coffee contains natural tannins and oils and therefore will stain the nylon filter after use. This is a natural phenomenon, but soaking the filter in White vinegar and hot water may assist in reducing some of these stains.

CARE & CLEANING

Minerals like calcium and limestone can be found in water and may leave deposits in the appliance and can affect its performance. De-calcifying the appliance is an important part of ensuring your drink always tastes great! We recommend de-calcifying your Iced Coffee Maker once a month to keep it at peak performance following the steps below:

- 1. Prepare 1 cup (240ml) of undiluted white vinegar. Ensure the filter and brew funnel have been removed first. Pour the vinegar into the water tank.**
- 2. Replace the brew funnel and filter and close the lid.**
- 3. Place the travel cup under the spout and press the START button to run a brew cycle.**
- 4. Once the cycle has stopped, discard the contents of the travel cup. Remove the filter or paper filter from the brew basket.**
- 5. Rinse the cup, filter and brew basket with clean water.**
- 6. Fill the travel cup to the “WATER” marking with clean water and pour directly into the water tank.**
- 7. Place the travel cup under the spout and press the “START” button to run a brew cycle.**
- 8. After the cycle finishes, discard the water and rinse the travel cup thoroughly with clean water.**
- 9. Repeat steps 6-8 one more time, to ensure the appliance is thoroughly rinsed.**

CARE & CLEANING

1. Clean all detachable parts after each use in hot soapy water.
2. Wipe the exterior surface of the unit with a soft, damp cloth to remove stains.
3. Water droplets may buildup in the funnel and drip onto the unit base during brewing. To control the dripping, wipe the area with a clean, dry cloth after each use.
4. Never use abrasive cleaners to clean any part.
5. The filter and brew funnel are dishwasher safe, but should be placed on the top rack.

MAINTENANCE

If the unit fails to operate efficiently, is broken or other problems arise, unplug and do not operate.

Ask for advice by calling your local after sales service agent or the Customer Care Centre on 1300 556 816 (AU) / 0800 666 2824 (NZ).

WARRANTY

Please refer to the warranty card in the box for warranty information. For any troubleshooting advice, please contact the relative Customer Care Centre below.

Glen Dimplex Australia Pty Ltd
8 Lakeview Drive,
Scoresby 3179, Victoria
Australia
Ph: 1300 556 816

Glen Dimplex New Zealand Ltd
38 Harris Road, East Tamaki,
Auckland 2013
New Zealand
Ph: 0800 666 2824



Recycling: Do not dispose of electrical appliances as unsorted municipal waste. Use separate collection facilities. Contact your local government for information regarding the collection systems available. If electrical appliances are disposed of in landfills or dumps, hazardous substances can leak into the ground water, polluting the food chain and damaging health and wellbeing.

Expanded Polystyrene Disposal: The websites listed below can assist in the responsible disposal of EPS (Expanded Polystyrene) packaging products.

Australia: <https://recyclingnearyou.com.au/polystyrene> and/or <http://epsa.org.au>

New Zealand: <https://greenbusinesshq.com/epsrecycling> and/or

<https://www.plastics.org.nz/environment/recycling-disposal/eps-recycling>

morphy richards®

Glen Dimplex Australia Pty Ltd
8 Lakeview Drive
Scoresby VIC 3179
Phone: 1300 556 816
Email: seasonal.support@glendimplex.com.au
Web: www.morphyrichards.com.au

morphy richards®

Glen Dimplex New Zealand Ltd
1 Ron Driver Place
East Tamaki, Auckland
Phone: 09 274 8265
Email: sales@glendimplex.co.nz
Web: www.morphyrichards.co.nz

© Glen Dimplex Australia. All rights reserved. Material contained in this publication may not be reproduced in whole or in part, without prior permission in writing of Glen Dimplex Australia.