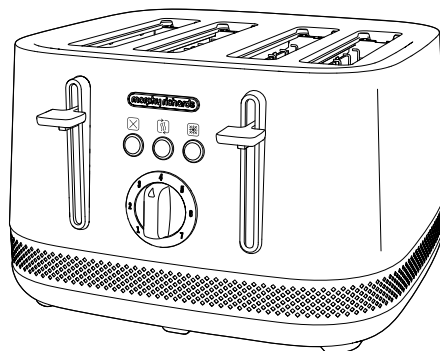


morphyrichards®

illumination



4 Slice Toaster

Please read and keep these instructions



www.morphyrichards.com



Health and Safety

The use of any electrical appliance requires the following common sense safety rules.

Please read these instructions carefully before using the product.

- This appliance is not intended for use by persons (including children) with reduced physical, sensory or mental capabilities, or lack of experience and knowledge, unless they have been given supervision or instruction concerning use of the appliance by a person responsible for their safety.
- Children should be supervised to ensure that they do not play with the appliance.
- Cleaning and user maintenance shall not be made by children.
- Keep the appliance and its cord out of reach of children.
- **WARNING: Misuse of the appliance could cause personal injury.**
- If the supply cable is damaged, it must be replaced by the manufacturer, its service agent or similarly qualified persons in order to avoid a hazard.
- The bread may burn, therefore do not use the appliance near or below combustible material such as curtains.
- This appliance is not intended to be operated by means of an external timer or separate remote control system.
- This appliance is intended to be used in household and similar applications such as: farm houses; by clients in hotels, motels and other residential type environments; bed and breakfast type environments.

It is not suitable for use in staff kitchen areas in shops, offices and other working environments.

The use of any electrical appliance requires the following common sense safety rules.

WARNING: Danger to the person!

IMPORTANT: Damage to the appliance!

In addition, we offer the following safety advice.

Mains cable

- Do not let the cable run across a cooker or hot area which might damage the cable.

Other safety considerations

- Only use for intended purpose.

Personal safety

- Do watch your appliance during use.
- **WARNING: Do not touch the top of the appliance or other hot parts during or after use, use handles or knobs.**
- **WARNING: Do not wrap the cable around the main body of the appliance during or after use.**
- **WARNING: Do not use under cupboards.**
- **WARNING: Do not insert oversize foods, metal, foil packages or utensils into the toaster.**
- **WARNING: Do not attempt to dislodge food when the appliance is plugged in and never insert cooking utensils into the slots.**
- **IMPORTANT: Do not place bread or other items on top of the slots as this may damage the appliance and creates a fire hazard.**

Precautions

- Never use the appliance when it is empty (when there is no bread inside) except on first use.
- Do not use very thin or broken slices of bread.
- Do not insert other foods that may drip during the cooking process. In addition to making the cleaning procedure more difficult, these may cause fires.
- Clean the crumb tray regularly: crumbs can smoke or burn.
- Do not insert (by force) foods that are too big for the slots.
- Do not insert forks or other utensils into the toaster in order to remove bread. As well as damaging the toaster, there is a high risk of electric shock.
- Should some toast remain blocked in the toaster, remove the plug from the mains, wait for the toaster to cool down until it is safe to touch, then turn the toaster over and shake it gently.

Electrical requirements

Should the fuse in the mains plug require changing, replace it with one of the same rating as originally fitted.

WARNING: This appliance must be earthed.

AUS

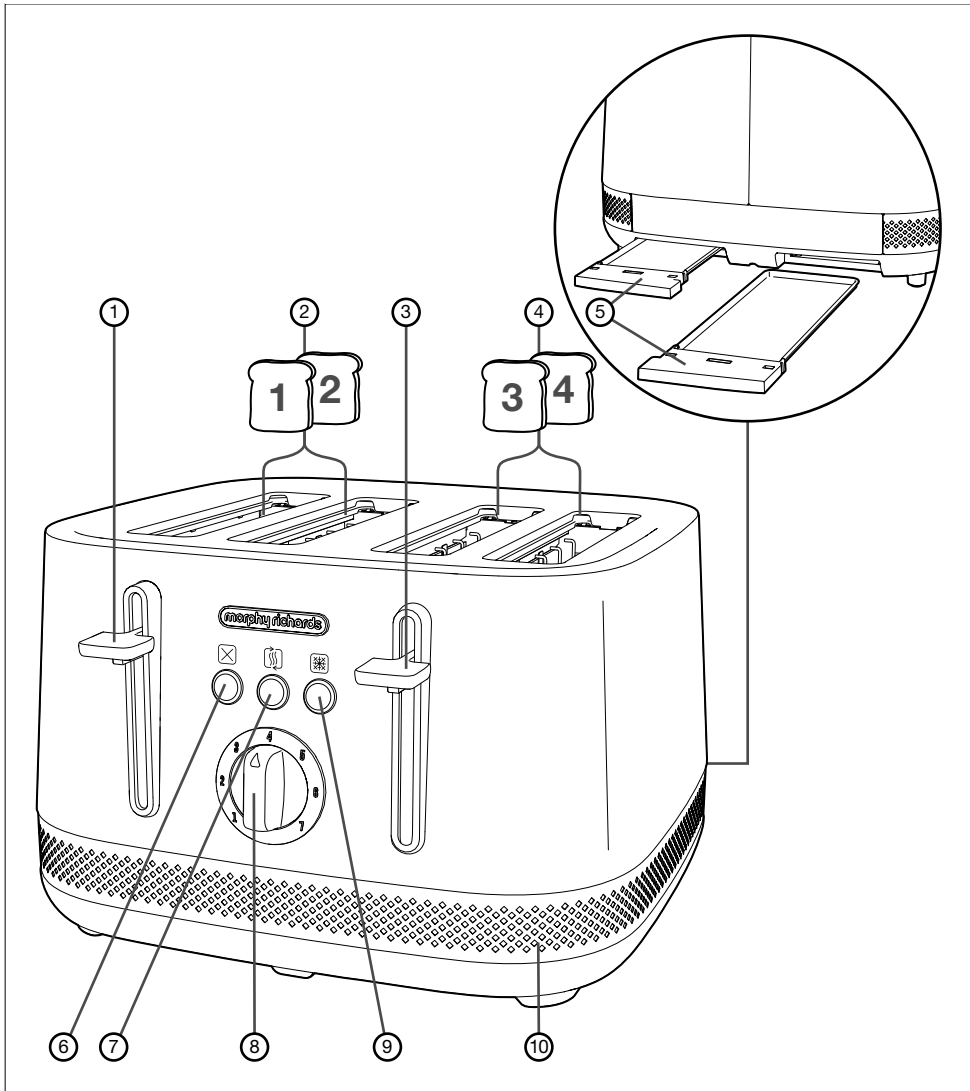


CAUTION! PLEASE BE AWARE
HOT SURFACE OF HOT SURFACES
HANDLE WITH CARE

Treating scalds

- Run cold water over the affected area immediately.
- Do not stop to remove clothing.
- Seek medical advice quickly

Product Overview



Quick start guide for toaster operation

If toasting one or two slices:

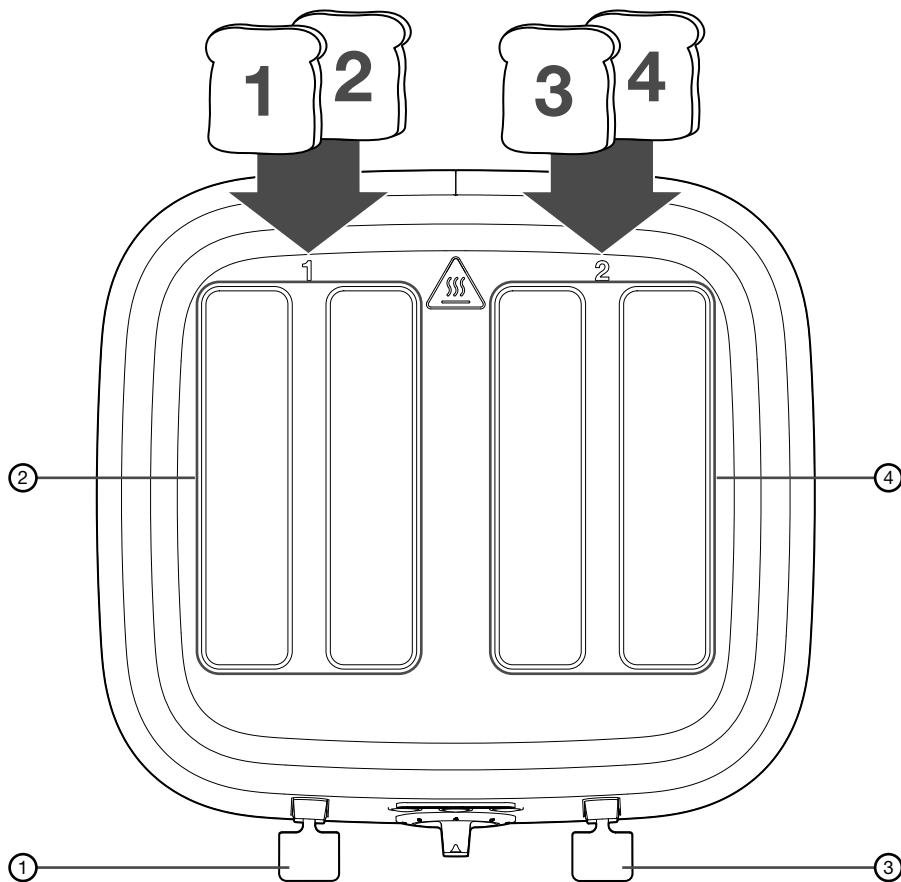


Always use the Left Bread Carriage Lever (1) and Left Bread Slots (2).

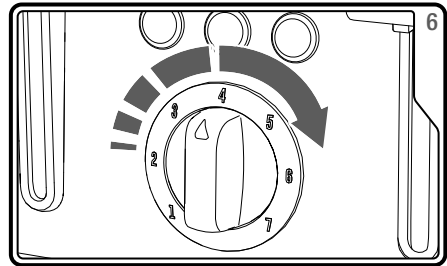
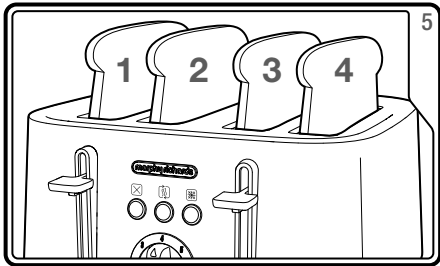
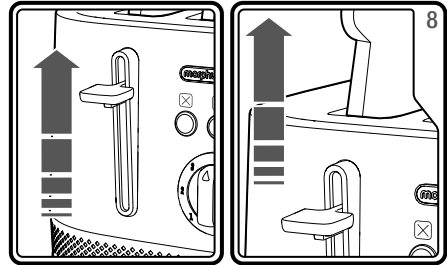
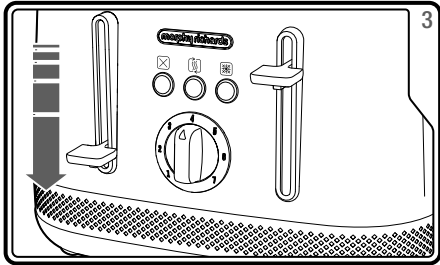
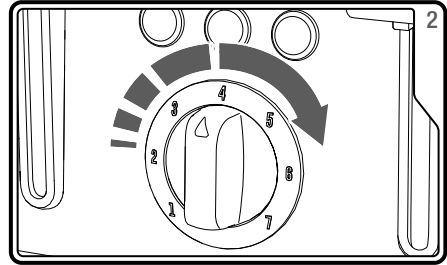
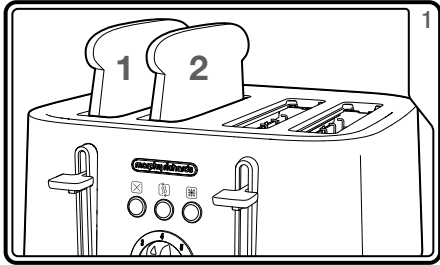
If toasting more than two slices:

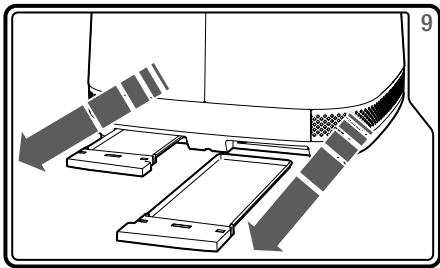
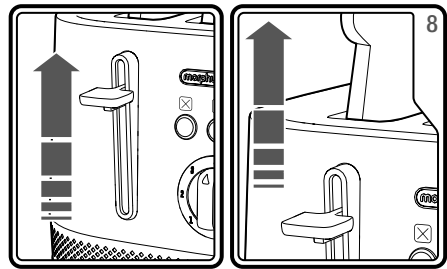
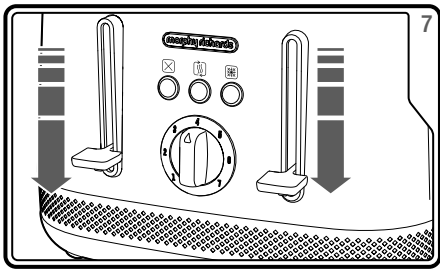


Use both the Left (1) and Right (3) Bread Carriage Levers and Left (2) and Right (4) Bread Slots.



The Right Bread Carriage Lever (3) will not operate unless the Left Bread Carriage Lever (1) is in use.





Before first use

- Before using your toaster for the first time, operate the toaster without bread.
- As with all new electric heating elements, your toaster will emit a 'new' smell when it is first switched on. This is quite normal and not a cause for concern.

Features

- (1) Left Bread Carriage Lever
- (2) Left Bread Slots
- (3) Right Bread Carriage Lever
- (4) Right Bread Slots
- (5) Crumb Trays (at rear)
- (6) Cancel Button
- (7) Re-heat Button
- (8) Browning Control
- (9) Defrost Button
- (10) Illumination Strip

Toasting one or two slices

- 1** Place the sliced bread into the Left Bread Slots (2).
- 2** Adjust the Browning Control (8) to the desired setting.
- 3** Depress the Left Bread Carriage Lever (1). The toaster will begin toasting the bread. The Illumination Strip (10) and the Cancel Button (6) will light up.
- 4** When completed, the Left Bread Carriage Lever will automatically rise and lift the toast from the toaster.

Toasting three or four slices

- 5** Place the sliced bread into the Left (2) and Right (4) Bread Slots.
- 6** Adjust the Browning Control (8) to the desired setting.
- 7** Depress both Bread Carriage Levers (1 & 3). The toaster will begin toasting the bread. The Illumination Strip (10) and the Cancel Button (6) will light up.
- 8** When completed, the Bread Carriage Levers will automatically rise and lift the toast from the toaster.

Additional features

Cancel Button

If you wish to interrupt the toasting process, press the Cancel Button (6). The Cancel Button illuminates during the toasting cycle.

Re-heat Button

If your toast has popped up and gone cold, the toaster offers a re-heat facility. To use, depress Bread Carriage Levers (1 & 3) (depending on how many slices of bread require re-heating), and press the Re-heat Button (7) immediately. The button will illuminate and the toaster will operate for a short period, reheating the bread.

Frozen Button

To toast frozen bread, do not adjust the Browning Control (8) from your normal setting. Place the frozen bread in the Bread Slots (2 & 4), depress the Bread Carriage Levers (1 & 3) and press the Defrost Button (9). The button will illuminate and the toaster will operate for a longer period, defrosting and toasting the bread.

Removing the Crumb Tray

WARNING: Crumbs will accumulate in the Crumb Trays (5) and could catch fire if not emptied regularly.

1. When the appliance has cooled down completely, tap the sides of the case lightly to dislodge any crumbs stuck in the Bread Slots (2 & 4).
2. Press the Crumb Trays to unlock and remove from the toaster.
3. Empty the Crumb Trays and replace, push to lock back into place.

Never operate the appliance without the Crumb Trays fitted.

Hints and tips

- In order to achieve uniform browning, we recommend you wait a minimum of 30 seconds between each toasting, so that the control can be automatically reset.
- **If toasting one slice only, you may need to adjust the Browning Control (8) to a slightly lower setting. You will notice a variation in toast colour on one side of a single slice. The side facing the outside wall of the Bread Slots (2 & 4) will be darker in colour than the side facing the inner wall of the Bread Slot.**
- When toasting 2 or more slices it is recommended they are of equal size and freshness.
- Stale bread toasts more rapidly than fresh bread. Therefore, the Browning Control should be set at a lower setting than usual.
- All sorts of bread can be used as well as teacakes, small rolls etc. Slices should not however be so thick as to cause burning or jamming within the Bread Slots (2 & 4).
- If the bread in your toaster becomes jammed, disconnect your toaster at the socket, allow it to cool, then remove the bread.
- Allow the toaster to cool fully before putting away.
- Should some toast remain blocked in the toaster, remove the plug from the mains, wait for the toaster to cool down until it is safe to touch, then turn the toaster over and shake it gently.

Care and cleaning

- Before cleaning, unplug your toaster and let it cool down.
- The external part of the appliance must be cleaned with a soft cloth. Do not use abrasive detergents that can ruin the surface.
- **DO NOT IMMERSE IN WATER.**
- After each use, remove the plug from the electrical outlet and empty the crumb collection tray that is under the appliance.

DO NOT TOUCH ANY PART OF THE TOASTER WITH SHARP OR METAL UTENSILS, ESPECIALLY INSIDE THE BREAD TOASTING SLOTS. RISK OF ELECTRIC SHOCK AND DAMAGE TO THE TOASTER.

Contact us

Helpline

If you are having a problem with your appliance, please call our Helpline, as we are more likely to be able to help than the store you purchased the item from.

Please have the product name, model number and serial number to hand when you call to help us deal with your enquiry quicker.

Talk To Us

If you have any questions or comments, or want some great tips or recipe ideas to help you get the most out of your products, join us online:

Blog:	www.morphyrichards.co.uk/blog
Facebook:	www.facebook.com/morphyrichardsuk
Twitter:	@loveyourmorphy
Website:	www.morphyrichards.com

MORPHY RICHARDS PRODUCT WARRANTY

This warranty is provided by Glen Dimplex Australia Pty Limited ABN 69 118 275 460 of 8 Lakeview Drive, Scoresby VIC 3179 (Phone number 1300 556 816), or in New Zealand by Glen Dimplex New Zealand Limited, New Zealand registration number 1506305, of 38 Harris Road, East Tamaki, Auckland 2013, New Zealand (Phone number 0800 666 2824) (we, us our) in respect of the Morphy Richards product which this warranty card has been included in the packaging for or otherwise supplied with (the Morphy Richards product).

1 Morphy Richards express warranty

Subject to the exclusions below, we warrant that the Morphy Richards product will be free from defects caused by faulty workmanship and materials within:

- in the case of the Morphy Richards products used for personal, domestic or household purposes, a period of 24 months from the date the Morphy Richards product is purchased as a brand new product from a retailer located in Australia or New Zealand; and
 - in the case of the Morphy Richards product used for purposes other than personal, domestic or household purposes (including business or commercial use), a period of 12 months from the date the Morphy Richards product is purchased as a brand new product from a retailer located in Australia or New Zealand.
- Morphy Richards products are designed and intended for domestic use.

This express warranty is personal to the first person who acquires the Morphy Richards product from the relevant retailer and claims under this warranty cannot be made by anyone other than this person.

The benefits conferred by this express warranty are in addition to the Consumer Guarantees referred to in section 3 and any other statutory rights you may have under the Australian Consumer Law, the New Zealand Consumer Guarantees Act and/or other applicable laws.

2 Warranty exclusions

This express warranty does not apply where:

- the Morphy Richards product has been installed, used or operated otherwise than in accordance with the product manual or other similar documentation provided to you with the Morphy Richards product;
- the Morphy Richards product requires repairs due to damage resulting from accident, misuse, incorrect installation, improper liquid spillage, cleaning or maintenance, unauthorised modification, use on an incorrect voltage, power surges and dips, voltage supply problems, tampering or unauthorised repairs by any persons, use of defective or incompatible accessories or exposure to abnormally corrosive conditions;
- the repair relates to the replacement of consumable parts such as fuses in plugs and bulbs or any other parts of the Morphy Richards product which require routine replacement;
- you are unable to provide us with reasonable proof of purchase for the Morphy Richards product;
- the breakdown occurs after the expiry of the express warranty period set out in section 1; or

AUS

(f) the Morphy Richards product was not purchased in Australia or New Zealand as a brand new product.

3 Consumer Guarantees

Our goods come with guarantees that cannot be excluded under the Australian Consumer Law. You are entitled to a replacement or refund for a major failure and for compensation for any other reasonably foreseeable loss or damage. You are also entitled to have the goods repaired or replaced if the goods fail to be of acceptable quality and the failure does not amount to a major failure.

If you acquired the goods in New Zealand, similar provisions of the Consumer Guarantees Act 1993 may apply, but may be excluded if you acquired the goods for the purpose of a business.

4 How to make a claim

You may make a claim under this warranty by visiting our website at (www.morphyrichards.com.au in Australia, www.morphyrichards.co.nz in New Zealand), contacting our customer care line (1300 556 816 in Australia, 0800 666 2824 in New Zealand) or visiting a Morphy Richards service centre.

To make a valid claim under this warranty, you must:

- (a) lodge the claim with us as soon as possible and no later than 14 days after you first become aware of the breakdown;
- (b) provide us with the Morphy Richards product serial number;
- (c) provide us with reasonable proof of purchase for the Morphy Richards product; and
- (d) if required by us, provide us (or any person nominated by us) with access to the premises at which the Morphy Richards product is located at times nominated by us (so that we can inspect the Morphy Richards product).

5 Warranty claims

If you make a valid claim under this warranty and none of the exclusions set out in section 2 apply, we will, at our election, either repair the Morphy Richards product or replace the Morphy Richards product with a product of identical specification (or where the product is superseded or no longer in stock, with a product of as close a specification as possible).

Goods presented for repair may be replaced by refurbished goods of the same type rather than being repaired. Refurbished parts may be used to repair the goods.

Morphy Richards products are designed and supplied for normal domestic use. We will not be liable to you under this warranty for business loss or damage of any kind whatsoever.

6 Costs of warranty claim

Where you make a claim under this warranty, a Morphy Richards authorised repairer may need to attend your premises to inspect the Morphy Richards product. If the Morphy Richards product is located in Australia, we may charge you a service call fee if a repairer will be required to travel more than 30 kilometers from the place of purchase. For further information, please contact Glen Morphy Richards on 1300 556 816 in Australia or 0800 666 2824 in New Zealand. Alternatively, visit our website at www.morphyrichards.com.au in Australia or www.morphyrichards.co.nz in New Zealand.

AUS Glen Dimplex Australia
8 Lakeview Drive, Scoresby, Victoria 3179
T : 1300 556 816
E : sales@glendimplex.com.au
www.morphyrichards.com.au

NZ Glen Dimplex New Zealand
38 Harris Road, East Tamaki, Auckland, New Zealand
T : 0800 666 2824
E : sales@glendimplex.co.nz



morphy richards®

TT248020MAUS Rev 2 05/21

www.morphyrichards.com

