

morphy richards®
smart ideas for your home

Handheld Garment Steamer

INSTRUCTION MANUAL

Model: MRGS14BLK & MRGS14WTE

Read these instructions carefully before
using this appliance for the first time.

STORE THESE INSTRUCTIONS CAREFULLY

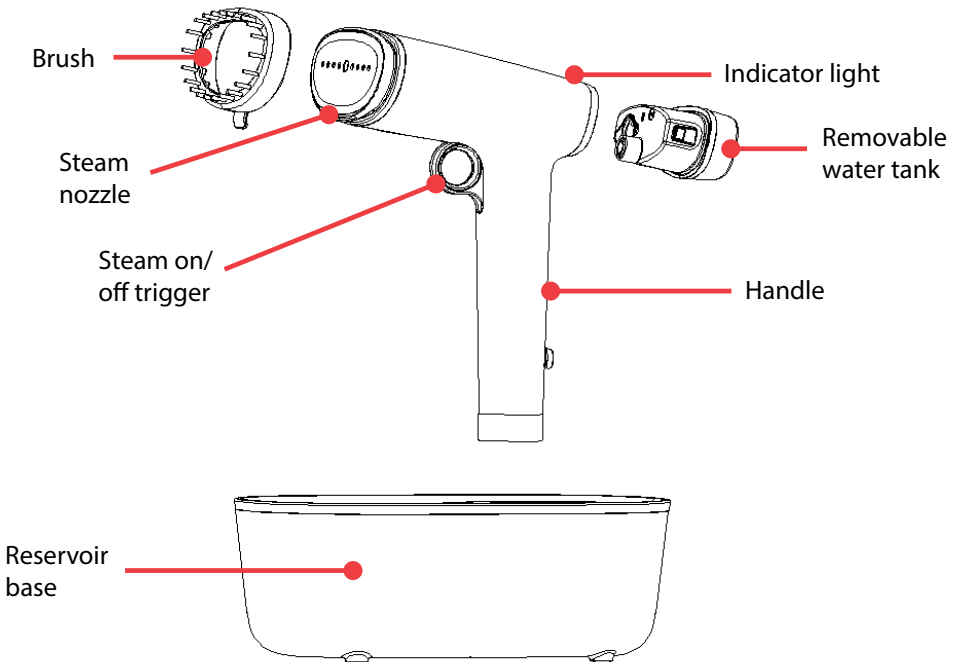


www.morphyrichards.com.au

SPECIFICATIONS

Model:	MRGS14BLK	MRGS14WTE
Colour:	Black	White
Rated Voltage:	220-240V	
Rated Power:	1200-1430W	
Capacity:	Water tank: 70ml Reservoir base: 1L	
External Dimensions (L x W x H):	255 x 133 x 265mm	
Net Weight:	1.24kg	

NAMES OF PARTS



IMPORTANT SAFETY INSTRUCTIONS

WARNING: Please read these instructions carefully before using the product.

- The use of any electrical appliance requires the following common sense safety rules. Please read these instructions carefully before using the product.
- This appliance is not intended for use by persons (including children) with reduced physical, sensory or mental capabilities, or lack of experience and knowledge, unless they have been given supervision or instruction concerning use of the appliance by a person responsible for their safety.
- Children should be supervised to ensure that they do not play with the appliance.
- Cleaning and user maintenance shall not be made by children.
- Misuse of the appliance could cause personal injury.
- Always locate your appliance away from the edge of the table or worktop.
- Ensure that the appliance is used on a firm, flat surface.
- Do not use the appliance outdoors or near water.
- Do not let the mains cable hang over the edge of the table, hot surface or where a child could reach it.
- Do not let the mains cable run across an open space e.g. between a low socket and a table.
- The mains cable should reach from the socket to the base unit without straining the connections.

- If the mains cable is damaged, it must be replaced by the manufacturer, its service agent or similarly qualified person in order to avoid a hazard.

WARNING: To protect against fire, electric shock and personal injury do not immerse cord, plug and appliance in water or any other liquid.

- Unplug from the outlet before cleaning.
- Allow to cool before putting on or taking off parts and before cleaning.
- The use of attachments or tools not recommended or sold by Morphy Richards is not recommended and may cause fire, electric shock or injury.
- The garment steamer is only to be used with the base provided.

WARNING: The appliance must not be immersed for cleaning.

- This appliance must be used in accordance with the instructions and must not be used for other purposes.
- Verify that the main voltage indicated on the product corresponds with the voltage of your electrical outlet.
- Do not use the appliance if the main cord, plug, light or the appliance itself shows visible damage, or the appliance has been dropped or is leaking. Take it to the nearest authorized service facility or a qualified serviceman for examination and repair in order to avoid a hazard.
- Care should be taken when using the appliance due to the emission of steam.
- Burns may occur from touching heating and hot metal parts, hot water, or steam.

- Please do not operate the appliance if there is not enough water in the water tank.
- Never fill the water tank with hot water, scents/essential oils, vinegar, starch, descaler, fabric softener or other chemical agents. Only use cool filtered water in this appliance.
- Before plugging in or unplugging, make sure that the heating element does not touch the surface of the power cord or other objects.
- Never leave the appliance unattended.
- Unplug from outlet when not in use, before filling water or cleaning.
- Grasp the plug to pull out the power cord when unplugging the charging base, do not pull on the cord.
- Please ensure the appliance cools down completely before disassembly or storage.
- Do not use the appliance for other than its intended use.

READ CAREFULLY AND KEEP FOR FUTURE REFERENCE.

IMPORTANT INFORMATION

Indicator light: Once the unit is plugged in, the indicator light flashes while the unit is heating. When the indicator light stops flashing, then unit is ready to use. The steam will not work when the light is flashing.

Steam on/off trigger: Once the indicator light stops flashing, press and button to start steaming. Press again to stop steaming.

Handle: Use the handle to control the angle of the steam.

Reservoir Base: When the power is on, and if the unit is placed onto the base (1L Capacity), then the unit will automatically draw water from the base and replenish water into the water tank.

Water tank: Remove the water tank to fill with water (70ml Capacity). The unit can operate independently with this tank, without needing the reservoir base.

Steam nozzle: Steam sprays out of steam nozzle.

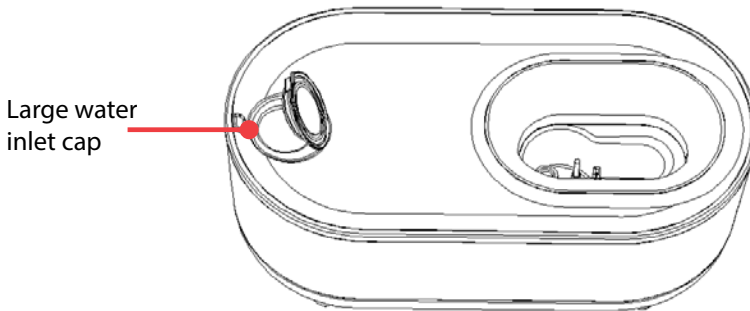
Brush: Use the brush to remove any dust or lint on clothes.

INSTRUCTIONS FOR USE

The garment steamer is provided with a reservoir base which can be used to replenish water in the removable water tank automatically.

1. Open the large water inlet cap of the reservoir base and fill with appropriate amount of cool filtered water and then replace the cap (see Fig. 1).

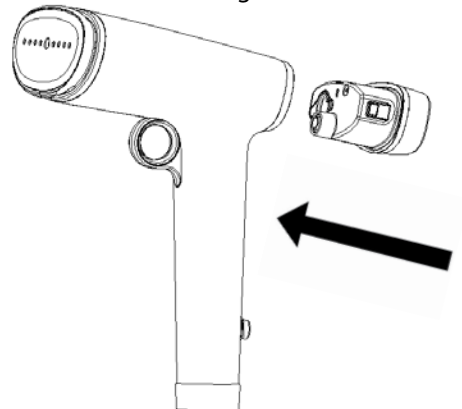
Fig. 1



2. Mount the water tank onto the main unit in the direction indicated by the arrow (see Fig. 2)

Note: Ensure water tank is fastened in place, otherwise it will not be replenished by the reservoir base or supply water to main unit.

Fig. 2



INSTRUCTIONS FOR USE

3. Mount the main unit onto the reservoir base in the direction indicated by the arrow (see Fig. 3).

3.1 Plug into power, the water in the reservoir base will automatically fill the water tank until it is full. A blue indicator light will flash to indicate that the unit is warming up.

Note: during warm-up, the main unit will be unable to spray steam.

Fig. 3

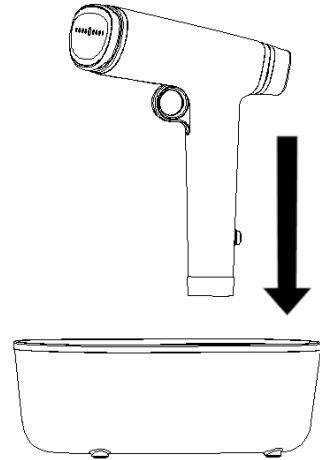
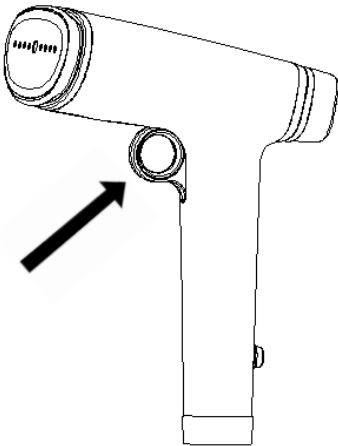


Fig. 4



4. The unit is ready to use when the blue indicator light stops flashing and is solid. Press the Steam on / off trigger once to begin steaming garments as required (see Fig. 4).

4.1 If clothes need to be dry ironed, please do not press the steam on / off trigger, instead hold the main unit and iron directly onto the clothes as per regular ironing methods.

NOTE: Multiple passes may be required for garments of thicker material, or with more stubborn wrinkles,

INSTRUCTIONS FOR USE

5. If clothes need to be brushed, attach the brush attachment (see Fig. 5)

6. After use, please disconnect from the power outlet, and allow to cool completely. Keep out of reach of children.

Warnings:

- The steam nozzle and top section of the main unit are very hot, please do not touch and keep them away from children to avoid burns.
- When using steam, please do not aim or spray at people or animals.

The garment steamer can also be used independently, without the reservoir base.

1. Open the water inlet cap of the removable water tank and fill with the appropriate amount of cool water and then replace water inlet cap. (See Fig. 6)

Fig. 5

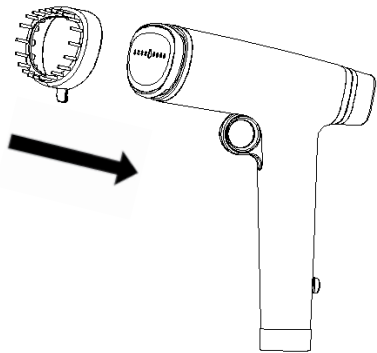
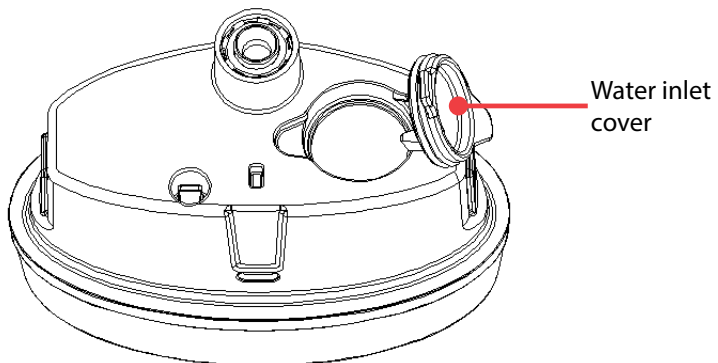


Fig. 6



INSTRUCTIONS FOR USE

2. Mount the water tank onto the main unit in the direction indicated by the arrow (see Fig. 7)

Note: Ensure the water tank is correctly fastened in place, otherwise water will not be supplied to the main unit.

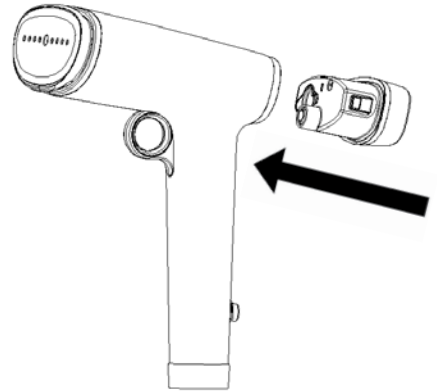
3. Plug into power, a blue indicator light will flash to indicate that the unit is warming up.

Note: during warm-up, the main unit will be unable to spray steam.

4. The unit is ready to use when the blue indicator light stops flashing and is solid. Press the Steam on / off trigger once to begin steaming garments as required (see Fig. 4).

NOTE: If the reservoir base isn't being used, then the removable tank will need to be filled more frequently.

Fig. 7



HINTS & TIPS

- Some articles of clothing are better to be steamed inside out.
- Pants can be steamed holding them by the cuff, however extra care must be taken.
- When steaming, touch material lightly with steam nozzle or brush attachment and move up and down to remove wrinkles. It is important that you make contact with the garment and/or fabric.
- NOTE: The Garment Steamer will not remove stains from garments.
- Never steam clothes while wearing them.
- The Garment Steamer works on a variety of fabrics, including silk, denim, cotton, polyester and wool.
- PLEASE ALWAYS REFER TO LABEL ON ITEM OF CLOTHING TO CHECK IF GARMENT CAN BE STEAMED. IN GENERAL, SOME FABRICS, E.G., LEATHER, SUEDE AND VELVET ARE NOT SUITABLE FOR STEAMING.
- TO ENSURE YOUR GARMENT IS SUITABLE FOR STEAMING, ALWAYS TEST A SMALL PATCH ON THE INSIDE OF THE GARMENT TO CHECK IT DOES NOT DAMAGE THE FABRIC.

TEMPERATURE GUIDE

Max Steaming: 120°C - 165°C

DESCALING

Your Garment Steamer should be periodically descaled as the mineral deposits in tap water may form scale or residue inside of the unit causing it to operate less efficiently. To reduce or eliminate the occurrence of mineral deposits, we recommend the use of distilled water in the unit.

Alternatively, if not using distilled water, please follow the below process monthly, for best results.

1. Ensure the unit is disconnected from the power outlet and completely cooled down.
2. Prepare a mixed solution of 50% vinegar and 50% water. 60ml of this solution is enough.
3. Remove the water tank and slowly pour the mixed solution into it and replace water inlet cover
4. Let sit for 40 minutes.
5. Wipe the external housing using the soft damp cloth.
6. Pour out the vinegar solution, and fill the water tank with clean water and rinse / repeat until the vinegar smell has dissipated. Repeat this step until the vinegar odour disappears.

Other than the above descaling procedure, never use any other additives in the water of this Garment Steamer.

Use of distilled or de-mineralized water will reduce the need to clean your Garment Steamer and will prolong its life. However, ordinary tap water may be used as well.

Additives such as cleaning agents, detergents, salt, perfumes and dyes should never be added to the water tank. Some of these substances are highly flammable which could result in bodily harm or death and some additives will corrode or clog internal parts.

Clean the main unit with a soft damp cloth if necessary. A little bit of neutral detergent can be used for any stubborn marks.

MAINTENANCE

If the unit fails to operate efficiently, is broken or other problems arise, unplug and do not operate.

Ask for advice by calling your local after sales service agent or the Customer Care Centre on 1300 556 816 (AU) / 0800 666 2824 (NZ).

WARRANTY

Please refer to the warranty card in the box for warranty information. For any troubleshooting advice, please contact the relative Customer Care Centre below.

Glen Dimplex Australia Pty Ltd

8 Lakeview Drive,
Scoresby 3179, Victoria
Australia

Ph: 1300 556 816

Glen Dimplex New Zealand Ltd

38 Harris Road, East Tamaki,
Auckland 2013
New Zealand

Ph: 0800 666 2824

NOTES



Recycling: Do not dispose of electrical appliances as unsorted municipal waste. Use separate collection facilities. Contact your local government for information regarding the collection systems available. If electrical appliances are disposed of in landfills or dumps, hazardous substances can leak into the ground water, polluting the food chain and damaging health and wellbeing.

morphy richards

Glen Dimplex Australia Pty Ltd
8 Lakeview Drive
Scoresby VIC 3179
Phone: 1300 556 816
Email: sales@glendimplex.com.au
Web: www.morphyrichards.com.au

© Glen Dimplex Australia. All rights reserved. Material contained in this publication may not be reproduced in whole or in part, without prior permission in writing of Glen Dimplex Australia.