

**morphyrichards®**

smart ideas for your home

Equip 1 Litre Kettle

# INSTRUCTION MANUAL

Model: MREK1B

Read these instructions carefully before  
using this appliance for the first time.

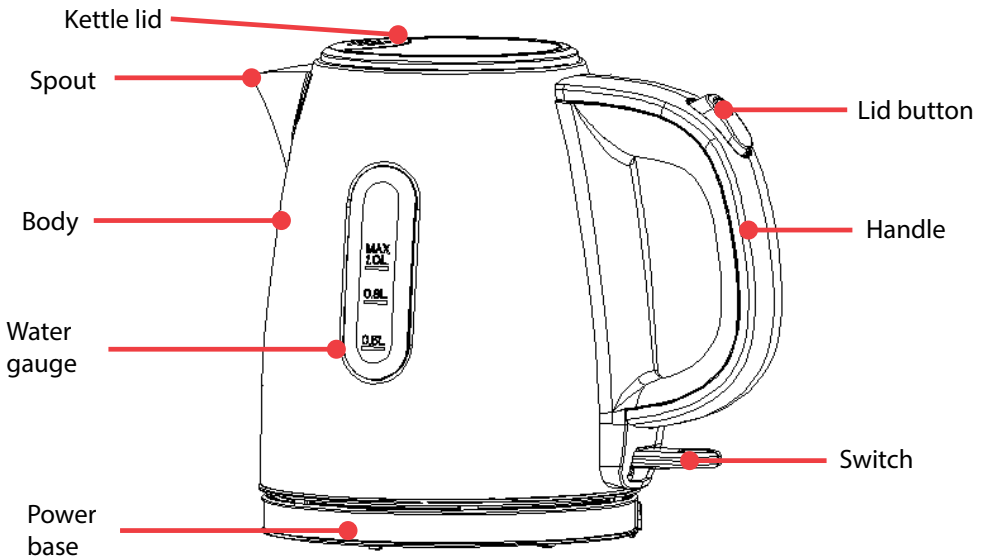
**STORE THESE INSTRUCTIONS CAREFULLY**

[www.morphyrichards.com.au](http://www.morphyrichards.com.au)

## SPECIFICATIONS

Model:	MREK1B
Colour:	Black
Rated Voltage:	220-240V
Rated Power:	1850-2200W
Capacity:	1L
External Dimensions (L x W x H):	230 x 154 x 202mm
Net Weight:	0.81kg

## NAMES OF KETTLE PARTS



## IMPORTANT SAFETY INSTRUCTIONS

**WARNING:** Please read these instructions carefully before using the product.

- Avoid spillage on the connector.
- The use of any electrical appliance requires the following common sense safety rules. Please read these instructions carefully before using the product.
- This appliance is not intended for use by persons (including children) with reduced physical, sensory or mental capabilities, or lack of experience and knowledge, unless they have been given supervision or instruction concerning use of the appliance by a person responsible for their safety.
- Children should be supervised to ensure that they do not play with the appliance. Cleaning and user maintenance shall not be made by children without supervision.
- Cleaning and user maintenance shall not be made by children.
- This appliance is intended to be used in household and similar applications such as: farm houses; by clients in hotels, motels and other residential type environments; bed and breakfast type environments. It is not suitable for use in staff kitchen areas in shops, offices and other working environments.
- Misuse of the appliance could cause personal injury.
- Always locate your appliance away from the edge of the worktop.
- Ensure that the appliance is used on a firm, flat surface.
- Do not use the appliance outdoors or near water.

**WARNING:** Do not place the appliance onto a metal tray or metal surface whilst in use.

- Do not let the mains cable hang over the edge of the worktop where a child could reach it.
- Do not let the mains cable run across an open space e.g. between a low socket and a table.
- Do not let the mains cable run across a cooker or other hot area which might damage the cable.
- The mains cable should reach from the socket to the base unit without straining the connections.
- If the mains cable is damaged, it must be replaced by the manufacturer, it's service agent or similarly qualified person in order to avoid a hazard.

**WARNING:** To protect against fire, electric shock and personal injury do not immerse cord, plug and appliance in water or any other liquid.

- Always keep the top of the cordless base dry, especially around the connection area, disconnect the power supply before drying.
- Allow to dry thoroughly before reconnection to the power supply.
- Do not fill above the MAX mark, otherwise boiling water may be ejected.
- Always pour hot water slowly and carefully without tipping the appliance too fast to prevent splashing and spillage.

**WARNING:** Do not open the lid whilst the water is boiling.

- Do not hold the switch in the on position or tamper with the switch to fix it in the on position as this may cause damage to the switch-off mechanism.

- Unplug from the outlet before cleaning.
- Allow to cool before putting on or taking off parts and before cleaning.

**WARNING:** The heating element surface is subjected to residual heat after use

**CAUTION:** Do not operate the kettle on an inclined surface. Do not operate the kettle unless the element is fully immersed. Do not move the kettle while it is switched on

#### OTHER SAFETY CONSIDERATIONS:

- The use of attachments or tools not recommended or sold by Morphy Richards, may cause fire, electric shock or injury.
- The kettle is only to be used with the stand provided.
- Do not use the appliance for any use other than to boil water.
- Do not place the appliance on or near a hot gas or electric burner or in a heated oven.
- The appliance must not be on the base unit when being filled with water.
- Unplug from the outlet when not in use.

**WARNING:** The appliance must not be immersed for cleaning.

**CAUTION:** To prevent damage to the appliance, do not use alkaline cleaning agents when cleaning. Use a soft cloth and detergent..

- This appliance must be used in accordance with the instructions and must not be used for other purposes.

**READ CAREFULLY AND KEEP FOR FUTURE REFERENCE.**

## IMPORTANT INFORMATION

Empty the water out of the kettle after first boiling to clean away any deposits that are left in the kettle after the manufacturing process.

Descale as appropriate for the hardness of the water in your area. It is important to descale as the performance of the kettle and auto switch-off will be impaired.

### Safety first

Always pour water slowly and carefully to prevent the splashing of scalding water.

Fast boil kettles perform differently. If your kettle is a fast boil model, it may sound louder during boiling, and switch off suddenly with no after noise.

This is normal.

## TREATING SCALDS

1. Run cold water over the affected area immediately. Do not stop to remove clothing.
2. Get medical help quickly.

## INSTRUCTIONS FOR USE

1. Place the kettle on the flat surface.
2. To fill the kettle, remove it from the power base and open the lid by pressing down lid release button, then fill the kettle with the desired amount of water and close the lid. The water level must be within the Min and the Max level. Too little water will cause the kettle switching off before the water has boiled.

NOTE: Do not fill the water over the maximum level, as water may spill out of the spout when boiling. Ensure that the lid is firmly in place before plugging the power outlet.

3. Position the kettle on the power base.
  4. Switch the kettle on. The 'power on' neon will light up.
  5. When the water boils the kettle will switch off automatically.
- If you are using the kettle for the first time, pour away the boiled water and refill.
6. Lift the kettle from the base unit by the handle ensuring you hold the kettle level.
- To reboil, switch to ON again. If the kettle has just switched off wait a minute or so before switching it back on again.

NOTE: Ensure that switch is free of obstructions and the lid is firmly closed, the kettle will not turn off if the switch is jammed down or if the lid is open.

If you do not put in enough water, or switch on the kettle when it is empty, the safety cutout will switch off the power automatically. If this happens, refill and wait a few minutes for the element to cool, then use as normal.

## DESCALING

Your kettle should be periodically descaled as the mineral deposits in tap water may form scale on the bottom of kettle so as to cause it to operate less efficiently. You can use commercially available descaler and follow the instructions on the package of descaler. Alternatively, you may follow the below instructions using white vinegar.

1. Fill the kettle with 3 cups of white vinegar, then add enough water to cover the bottom of kettle completely. Leave the solution in the kettle overnight.
2. Discard the mixture in the kettle, then fill the kettle again with clean water to the maximum position, boil and discard the water. Repeat several times until the odor of vinegar has been flushed away. Any stains remaining inside the spout can be removed by rubbing with a damp cloth.
3. Wipe the outside of the kettle thoroughly with a damp cloth to remove all traces of vinegar residue which may damage the finish.

**IMPORTANT:** Ensure that the electrical connections are completely dry before using the kettle.



## MAINTENANCE

If the unit fails to operate efficiently, is broken or other problems arise, unplug and do not operate.

Ask for advice by calling your local after sales service agent or the Customer Care Centre on 1300 556 816 (AU) / 0800 666 2824 (NZ).

## WARRANTY

Please refer to the warranty card in the box for warranty information. For any troubleshooting advice, please contact the relative Customer Care Centre below.

Glen Dimplex Australia Pty Ltd  
8 Lakeview Drive,  
Scoresby 3179, Victoria  
Australia  
Ph: 1300 556 816

Glen Dimplex New Zealand Ltd  
38 Harris Road, East Tamaki,  
Auckland 2013  
New Zealand  
Ph: 0800 666 2824







Recycling: Do not dispose of electrical appliances as unsorted municipal waste. Use separate collection facilities. Contact your local government for information regarding the collection systems available. If electrical appliances are disposed of in landfills or dumps, hazardous substances can leak into the ground water, polluting the food chain and damaging health and wellbeing.

**morphy richards**

Glen Dimplex Australia Pty Ltd  
8 Lakeview Drive  
Scoresby VIC 3179  
Phone: 1300 556 816  
Email: [sales@glendimplex.com.au](mailto:sales@glendimplex.com.au)

© Glen Dimplex Australia. All rights reserved. Material contained in this publication may not be reproduced in whole or in part, without prior permission in writing of Glen Dimplex Australia.

MREK1B REV3